

Push-pull type toggle clamps

for push-on clamping

SPECIFICATION

Type

- Type **AS**: Sheet metal body

Parts in sheet metal
Case-hardened Steel C10
zinc plated, blue passivated

Plunger
Steel St 37
zinc plated, blue passivated

Plunger guide bushing
Brass
zinc plated, blue passivated

All moving parts
lubricated with special grease

Hand grip
High quality, oil resistant red plastic

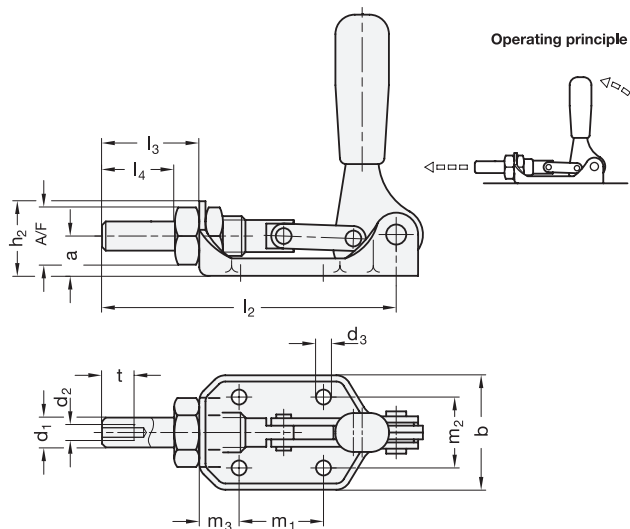
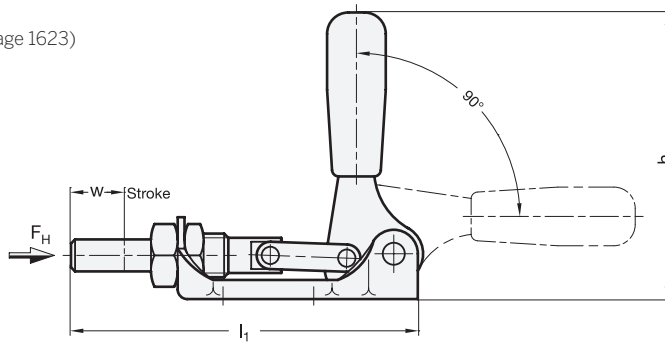


INFORMATION

- General information for toggle clamps (see page 1560)

ACCESSORY

- Spindle assemblies (see page 1623)



GN 841

Description	Size	FH in N	a	b	d1	d2	d3	h1 ≈	h2	l1 ≈	l2 ≈	l3 ≈	l4 ≈	m1	m2	m3	A/F	t	w	⚖
GN 841-120-AS	120	3600	17	48	12	M 6	5.5	111	31	130	121	40	30	34	30	17	24	12	20	338
GN 841-300-AS	300	7200	20	58	14	M 8	6.5	140	36	167	155	57	45	50	34	18	27	16	34	590